



SERVICE PARTS LIST

BULLETIN NO.
54-40-1158

SPECIFY CATALOG NO. AND SERIAL NO. WHEN ORDERING PARTS		REVISED BULLETIN	DATE
8-1/4" CIRCULAR SAW CATALOG NO. 6405 SERIAL NUMBER 552A		54-40-1157	July 2001
		WIRING INSTRUCTION 58-01-1251	

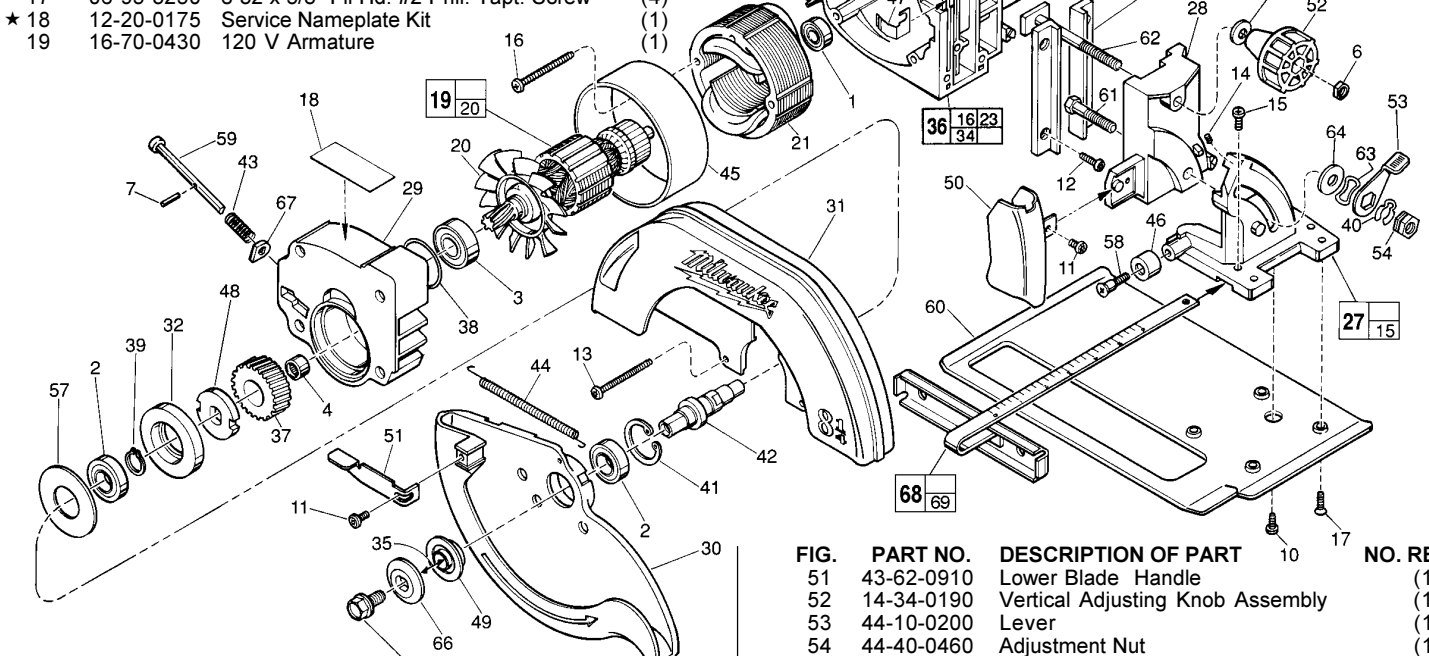
FIG.	PART NO.	DESCRIPTION OF PART	NO. REQ.
1	02-04-0850	Ball Bearing	(1)
2	02-04-2650	Ball Bearing	(2)
3	02-04-2775	Ball Bearing	(1)
4	02-50-2423	Needle Bearing	(1)
5	06-55-0835	8-32 Hex Nut	(4)
6	06-55-1985	5/16 x 18 Hex Nut	(1)
7	06-65-1535	1/8 x 3/4" Roll Pin	(1)
8	06-75-0477	3/8-24 x 11/16" Blade Screw	(1)
9	06-82-2362	8-32 x 1" Slit. Pan Hd. Plastite T-20 Screw	(4)
10	06-82-5316	8-32 x 1/2" Slit. Pan Hd. Tapt. T-20 Screw	(2)
11	06-82-7252	8-32 x 3/8" Slit. Pan Hd. Tapt. T-20 Screw	(1)
12	06-82-7270	8-16 x 5/8" Slit. Pan Hd. Plast. T-20 Screw	(4)
13	06-82-7453	8-16 x 2-1/4" Slit. Pan Hd. Plast. T-20	(4)
14	06-83-3620	4-40 x 1/2" Socket Set Screw	(1)
15	06-95-0335	1/4-20 x 1/2" Fil. Hd. Screw	(2)
16	06-82-7395	8-16 x 1-3/4" Pan Hd. Plastite T-20 Screw	(2)
17	06-95-3250	8-32 x 5/8" Fil Hd. #2 Phil. Tapt. Screw	(4)
★ 18	12-20-0175	Service Nameplate Kit	(1)
19	16-70-0430	120 V Armature	(1)

EXAMPLE:

00	0
----	---

 Component Parts (Small #) Are Included When Ordering The Assembly (Large #).

★ = Part number change from previous service parts list.



20	22-84-0655	Fan Assembly	(1)
21	18-70-0032	120 V Field	(1)
22	22-18-0550	Carbon Brush Assembly	(2)
23	22-20-0820	Brush Insert	(2)
24	22-64-0790	Cord Set	(1)
25	23-44-0160	Brush Retaining Screw	(2)
26	23-66-0167	Switch	(1)
27	28-10-0791	Angular Adjusting Bracket	(1)
28	25-10-0810	Vertical Adjusting Bracket	(1)
29	28-14-2170	Gear Case	(1)
30	28-41-0930	Lower Guard	(1)
31	25-41-0939	Upper Guard	(1)
32	28-53-0280	Hub	(1)
33	28-72-0049	Vertical Adjusting Plate	(2)
34	31-44-1421	Left Handle Half	(1)
35	-----	8-1/4" Blade (Select from Catalog)	(1)
★ 36	31-50-1045	Motor Housing Assembly	(1)
37	32-75-3330	Gear	(1)
38	34-40-1375	1-1/4" O-Ring	(1)
39	34-60-1200	Retaining Ring	(1)
40	34-60-2330	Klipring	(1)
41	34-80-2600	Internal Retaining Ring	(1)
42	38-50-5820	Spindle	(1)
43	40-50-8040	Spindle Lock Spring	(1)
44	40-50-8350	Lower Guard Spring	(1)
45	42-14-0310	Baffle	(1)
46	42-38-0223	Bumper	(1)
47	42-70-0230	Ground Clip	(1)
48	42-74-0090	Spindle Locking Cog	(1)
49	43-34-0710	Inner Flange	(1)
50	43-54-0547	Front Blade Guard	(1)

FIG.	PART NO.	DESCRIPTION OF PART	NO. REQ.
51	43-62-0910	Lower Blade Handle	(1)
52	14-34-0190	Vertical Adjusting Knob Assembly	(1)
53	44-10-0200	Lever	(1)
54	44-40-0460	Adjustment Nut	(1)
55	44-60-0530	Ground Pin	(1)
56	44-76-0050	Cord Protector	(1)
57	44-86-0520	Bearing Retainer Plate	(1)
58	45-04-0505	Bumper Screw	(1)
59	45-08-0200	Spindle Lock Shaft	(1)
60	45-16-0575	Shoe	(1)
61	45-58-0270	Angular Adjusting Stud	(1)
62	45-58-0325	Vertical Adjusting Stud	(1)
63	45-88-0577	Wave Washer	(1)
64	45-88-0650	Angular Adjusting Washer	(1)
65	45-88-0660	Adjusting Washer	(1)
66	45-88-8200	Spindle Washer	(1)
67	45-88-8250	Felt Washer	(1)
68	49-22-4150	Rip Fence (Optional)	(1)
69	06-87-2450	1/4-20 x 1/2" Thumb Screw (Not Shown)	(2)
	49-96-6200	9/16" Box Wrench (Not Shown)	(1)

FIG. 10,11 NOTE
 Apply Blue Loctite, Type CV-242.
44 Hooks of spring must be completely inserted in slots. Long hook in upper guard.
48 Radius on locking cog must be up against face of gear.
59 Flat of spindle lock shaft must face gear.

FIG. 27,28,33 LUBRICATION
 Apply a light coat of teflon dry spray lubricant to all sliding surfaces.
29 1/2 Oz. Type "Y" Grease, No. 49-08-5270.

MILWAUKEE ELECTRIC TOOL CORPORATION
 13135 W. LISBON RD., BROOKFIELD, WI 53005